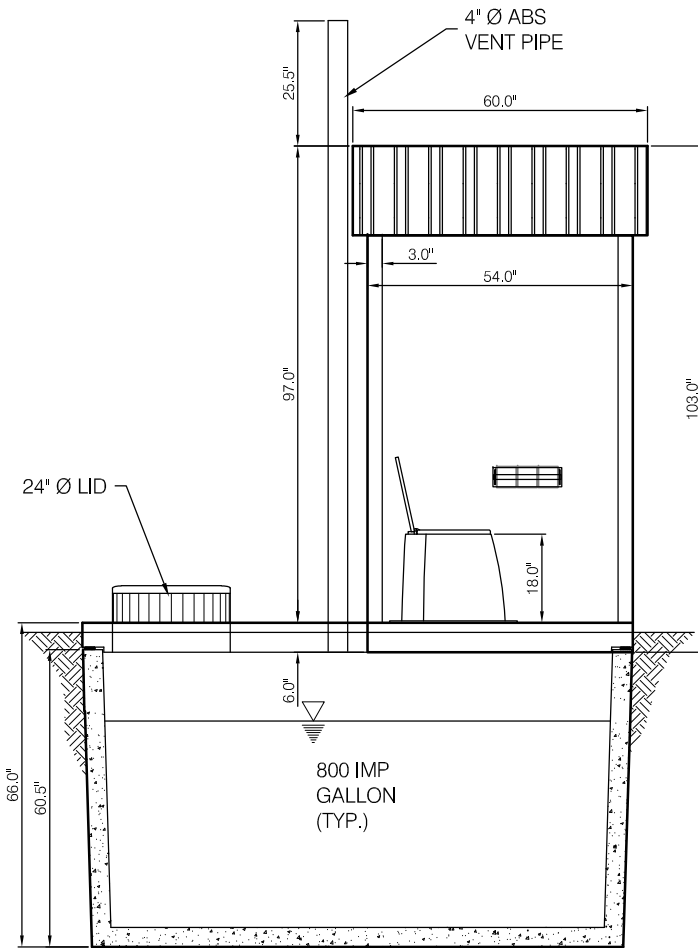
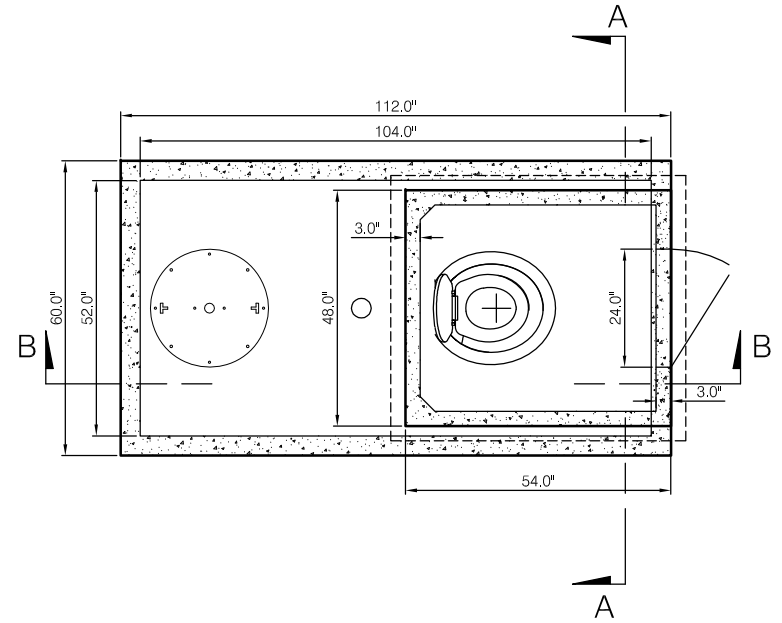




**Section View A - A**



**Section View B - B**



**Plan View**

 <p>A Subsidiary of Northern Vac Services Ltd.          P.O. Box 6868          Fort St. John, B.C., V1J-4J3          Phone: (250) 785-3382          Fax: (250) 785-3381          Email: nvac@shaw.ca</p>	<p>Project:</p> <h2 style="margin: 0;">Outhouse</h2> <table border="1" style="width: 100%; border-collapse: collapse; margin-top: 10px;"> <tr> <td style="width: 33%;">Drawn: DVT</td> <td style="width: 33%;">Checked by: AD</td> <td style="width: 33%;">Dwg No. -</td> </tr> <tr> <td>Date: June 2021</td> <td>Cert # --</td> <td>Rev: 1</td> </tr> </table>	Drawn: DVT	Checked by: AD	Dwg No. -	Date: June 2021	Cert # --	Rev: 1	 <p>A Division of Northern Vac Services Ltd.          4665 Collier Place          Williams Lake, B.C., V2G-5E0          Phone: (250) 392-3169          Fax: (250) 392-3176          Web: www.grossoprecast.com</p>
Drawn: DVT	Checked by: AD	Dwg No. -						
Date: June 2021	Cert # --	Rev: 1						