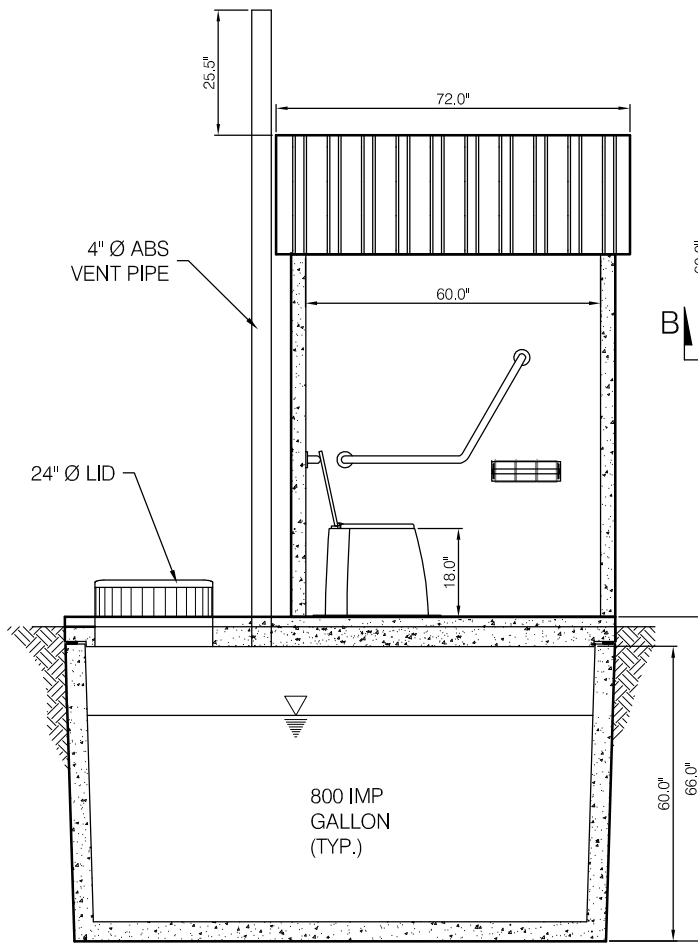
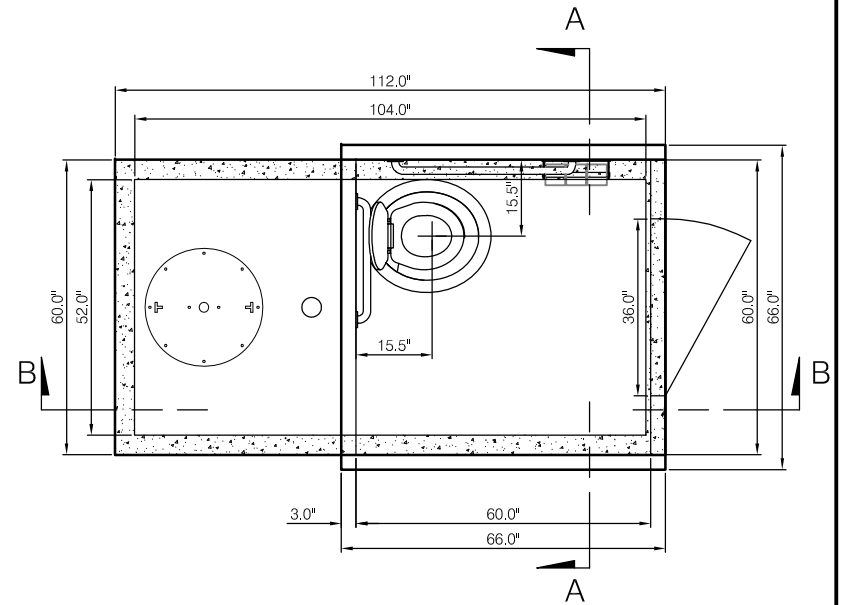


Section View A - A



Section View B - B



Plan View



A Subsidiary of Northern Vac Services Ltd.

P.O. Box 6868
 Fort St. John, B.C., V1J-4J3
 Phone: (250) 785-3382
 Fax: (250) 785-3381
 Email: nvac@shaw.ca

Project:

Handicap Outhouse

Drawn:	DVT	Checked by:	AD	Dwg No.	-
Date:	June 2021	Cert #	--	Rev:	1



A Division of Northern Vac Services Ltd.

4665 Collier Place
 Williams Lake, B.C., V2G-5E0
 Phone: (250) 392-3169
 Fax: (250) 392-3176
 Web: www.grossoprecast.com